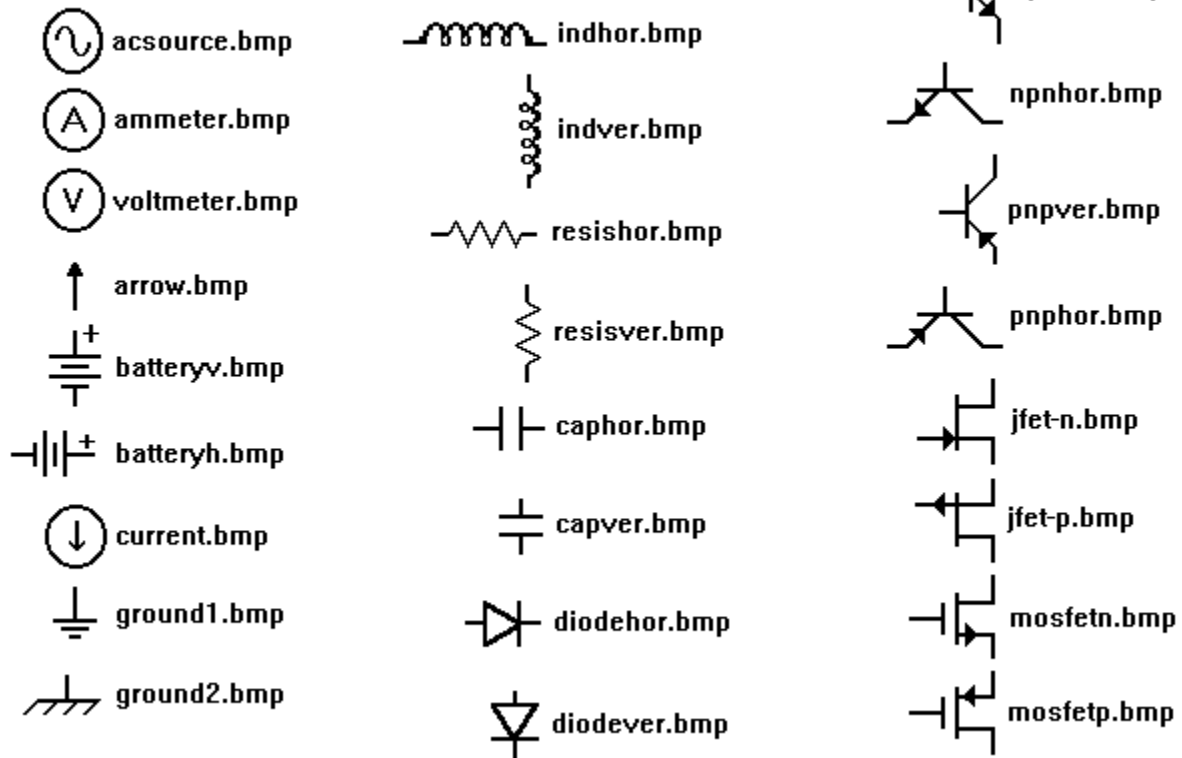


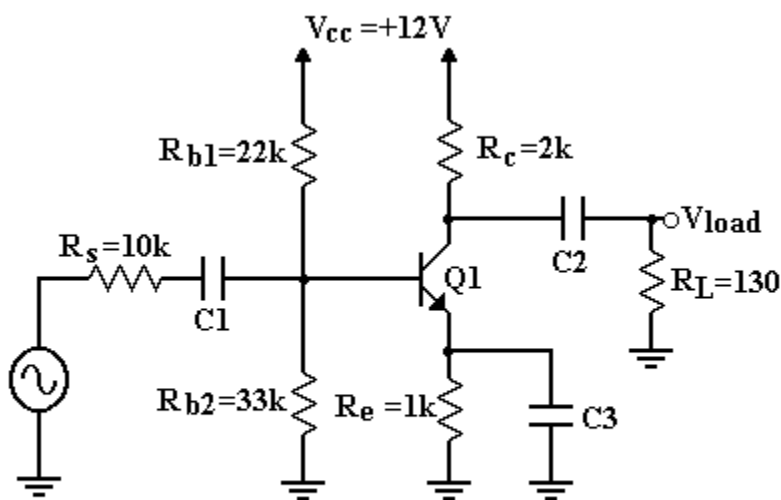
This library of bitmaps is designed to aid the user in the drawing of electrical schematic circuits. Included in the library are various components such as resistors, capacitors, inductors, transistors and FETs. There are also symbols for AC and DC sources (such as batteries), test equipment (such as volt and ammeters), along with a few general purpose symbols (like arrows and ground symbols). Originally, the symbols were designed for the PaintBrush program that comes with Microsoft Windows. However, I suppose they could be used in any program that utilizes monochrome BMPs.

Using them is relatively easy. I copied all of them to their own directory under windows. When I use PaintBrush to draw a circuit, I simply use the "Paste From" option under the Edit menu to bring up a circuit symbol. The symbol can be moved to the desired location on the screen by dragging the box with the mouse. Note the symbols may be flipped horizontally and vertically using the "Pick" option in the menu bar. Interconnection between parts can be done with the line-drawing feature under PaintBrush. Then, adding part numbers and values of components can be accomplished with the text icon in PaintBrush. PaintBrush certainly is not the best graphics program out, but it does a suprisingly good job for this type of work. The completed circuits may be saved in several formats and imported into other programs as graphic files. The symbols and their names are given as follows:

Circuit Symbols



Shown below is an example circuit assembled using these symbols.



Classical Common Emitter Amplifier

These symbols are distributed as ShareWare. If you find them to be useful a donation of \$3 is all that is asked. Please send it to

Ricky L. Clark
Rt. 1 Box 94A
Greeneville, TN 37743